









Chassis Color	Code
	Black 1
	White 2
	Red 3
	Blue 4
	Green 5
	Orange 6
	Yellow 7
	Purple 8

Standard color : Black



32A model :	Circuit Protection
HP18C13-32A-CR_EN/2B-1	1-pole MCB x 6

16A model :	Circuit Protection
HP18C13-16A-CR_EN/2B-1	1-pole MCB x 3

Input Rating : 32Amp, 400V  
Cordset : 5-wire 2 meter 4.0mm sq. H05V V-F cordset  
Protection : 16A hydraulic MCB x 6  
PH-1 < Bank 1 > : Output 16A max., C13 #1-5(odd)  
< Bank 2 > : Output 16A max., C13 #2-6(even)  
PH-2 < Bank 3 > : Output 16A max., C13 #1-5(odd)  
< Bank 4 > : Output 16A max., C13 #2-6(even)  
PH-3 < Bank 5 > : Output 16A max., C13 #1-5(odd)  
< Bank 6 > : Output 16A max., C13 #2-6(even)  
Weight : Net 6.2 Kg / Gross 7.2 Kg

Input Rating : 16Amp, 400V  
Cordset : 5-wire 2 meter 1.5mm sq. H05V V-F cordset  
Protection : 16A hydraulic MCB x 3  
PH-1 : Output 16A max., C13 #1-6  
PH-2 : Output 16A max., C13 #1-6  
PH-3 : Output 16A max., C13 #1-6  
Weight : Net 6.2 Kg / Gross 7.2 Kg

Operating Temperature : -5 to 60 °C  
Storage Temperature : -25 to 65 °C  
Operating Altitude : 0 to 2,000 m  
Storage Altitude : 0 to 15,000 m  
Humidity : 8 to 95% RH, non-condensing

EMC Compliance : CE / EMC  
Safety Compliance : CE / LVD & UKCA  
Tested to EN 62368-1:2014 / A11:2017 standard  
Tested to EN 60730-1:2016 / A1:2019 standard  
Environment Compliance : RoHS3 & REACH

**AUSTIN HUGHES**  
Design. Manufacturing. Global Services.

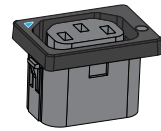
The company reserves the right to modify product specifications without prior notice and assumes no responsibility for any error which may appear in this publication.

Copyright 2023 Austin Hughes Electronics Ltd. All rights reserved.

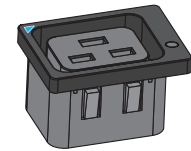
Product Dimension : 442 (W) x 270 (D) x 88.9 (H) mm  
Packing Dimension : 525 (W) x 380 (D) x 130 (H) mm

## Lockable IEC Outlet

- Patented design for InfraPower PDU



**C13 Outlet**



**C19 Outlet**

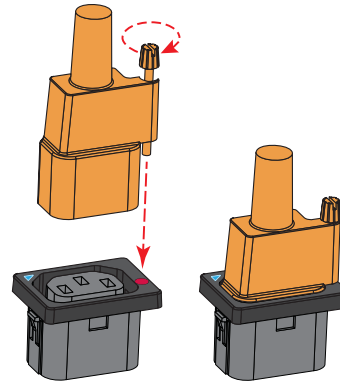
## Lockable IEC Cable

- Patented design of InfraPower PDU
- Low cost, easy to lock & secure
- Proprietary for lockable IEC outlet
- Applicable to standard IEC outlet
- 6 colors & 3 lengths available
- Custom color & length on request
- VDE & ENEC approval

### C13 - C14

H05VV-F 3G 0.75mm<sup>2</sup>

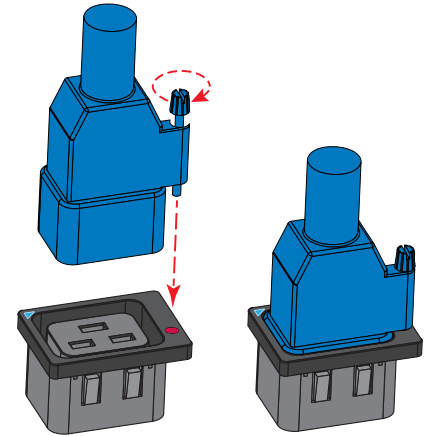
Cable Color	0.5M	1M	2M
Black	✓	✓	✓
Grey	✓	✓	✓
Red	✓	✓	✓
Blue	✓	✓	✓
Green	✓	✓	✓
Orange	✓	✓	✓



### C19 - C20

H05VV-F 3G 1.5mm<sup>2</sup>

Cable Color	1M	2M
Black	✓	✓
Grey	✓	✓
Red	✓	✓
Blue	✓	✓
Green	✓	✓
Orange	✓	✓



**C13 - C14**



**lockable cable**

- ✓ low cost
- ✓ easy to lock
- ✓ secure



**C19 - C20**

